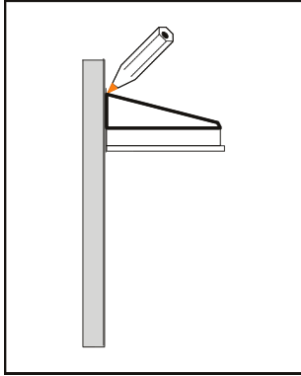
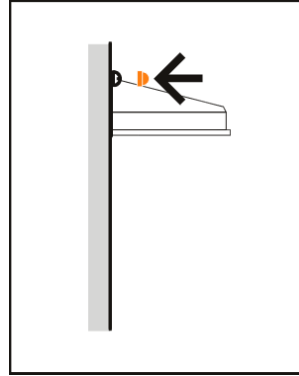


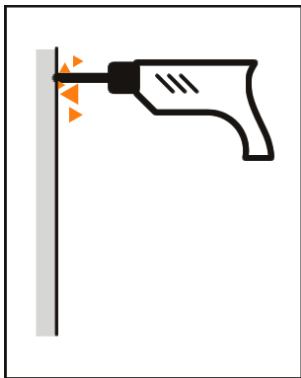
General door canopy fitting instructions



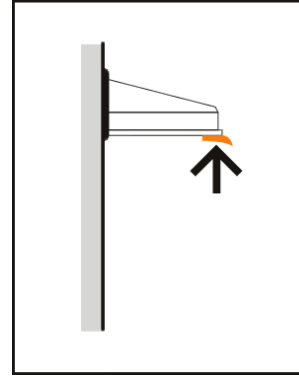
1
Centralise and level canopy over door and mark points on wall where holes should be drilled



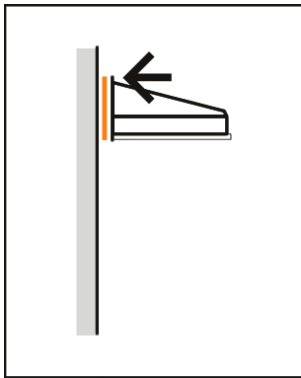
5
After screwing the bolts down, cover their heads with caps



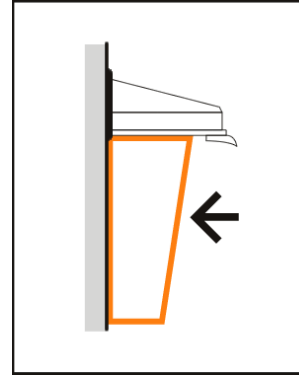
2
Drill holes (plugs and bolts included in the set) and place plugs



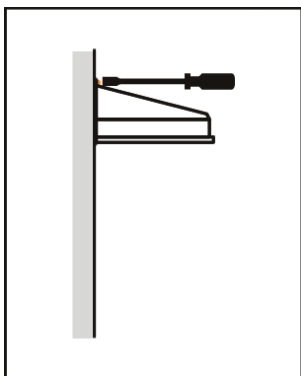
6
Fit the gutter spouts to the exterior corners



3
Stick sealing gasket to the back of the canopy (along the upper edge)



7
Only after the canopy has been fitted should optional brackets or wind-blinds be installed



4
Fit the canopy